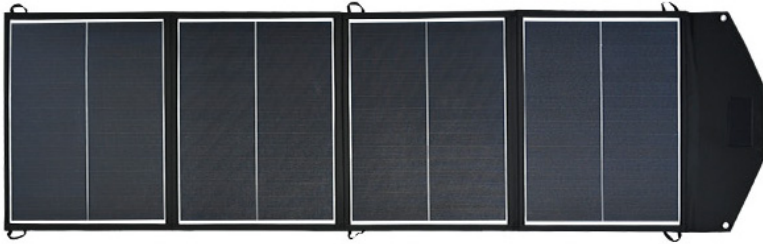


Product Details

# PORTABLE SOLAR PANELS

## SPC-TF-D-4\*50W



Anderson



ETFE surface

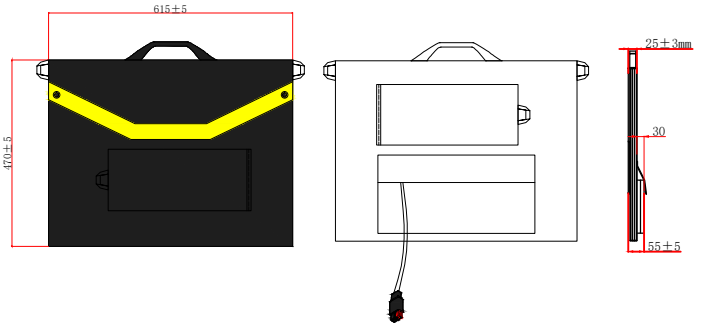
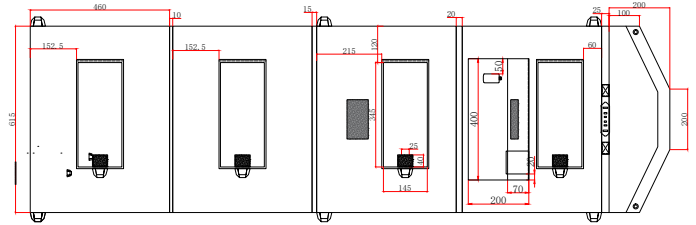
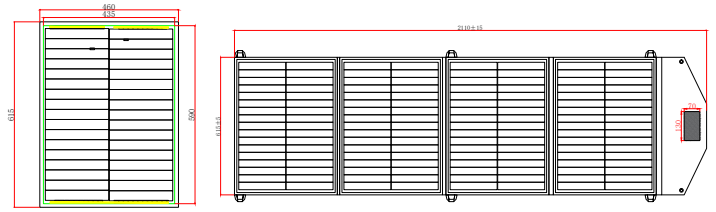


Magnetic handle



Bracket

Module Diagram



Electrical Characteristics

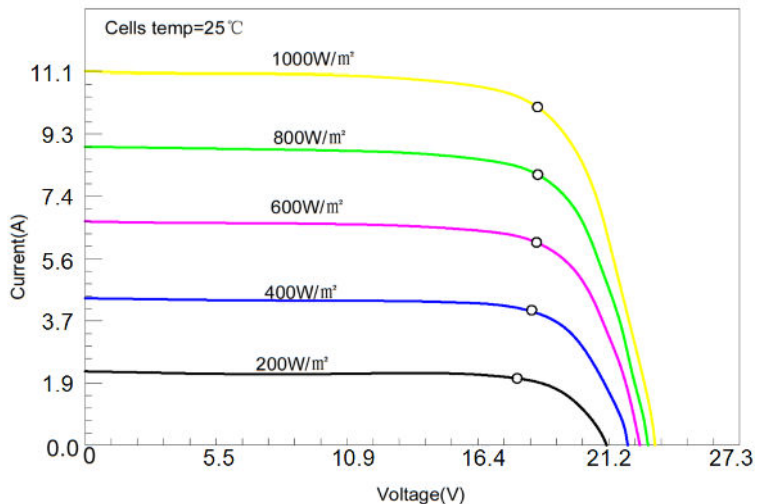
Maximum power(Pmax)	200W
Open-circuit voltage(Voc)	22.9V
Voltage at Pmax(Vmp)	19.4V
Short-circuit current(Isc)	10.93A
Current at Pmax(Imp)	10.31A
Cells Efficiency(%)	22.00%
The maximum system voltage	100V DC(IEC)
Power temperature coefficient	-0.38%/°C
Voltage temperature coefficient	-0.36%/°C
Current temperature coefficient	0.07%/°C
Output power tolerance	±5%
Operating Temperature	-10°C~60°C

Specifications

Solar cell brand	Monocrystalline
No.of cells and connections	136(2*17*4)
Folding size	615 x 470 x 25mm
Unfold Size	2110 x 615 x 4mm
Weight	5.7KG
Output cable	Anderson
Approvals	IP53
Certifications	CE, ROHS, FCC
Warranty	2 year and service life 8 yearsr

Product Introduction

Sungold SPC-TF series products are the most popular styles of solar folding bags on the market. The solar cell adopts PERC tile cell technology to achieve zero cell spacing, which effectively increases the light receiving area of the module. It features portability and high power for easy outdoor use. Compatible with the connection of mainstream portable power stations and various types of batteries.



\*SUNGOLD offer customize service, please refer to our website or ask SUNGOLD workers for more sizes and the latest parameters.