

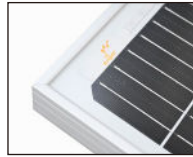
Product Details

RIGID SOLAR PANEL

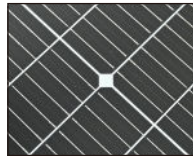
SGM2-120W



MC4

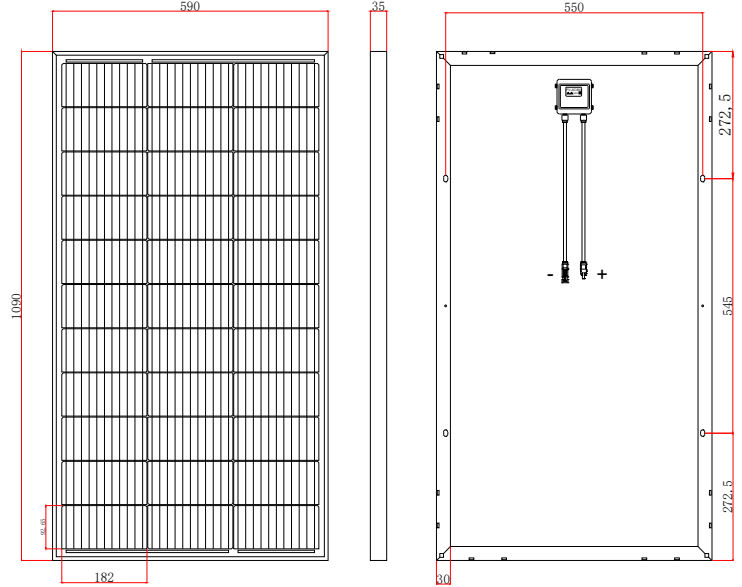


Aluminum frame



Tempered glass

Module Diagram



Electrical Characteristics

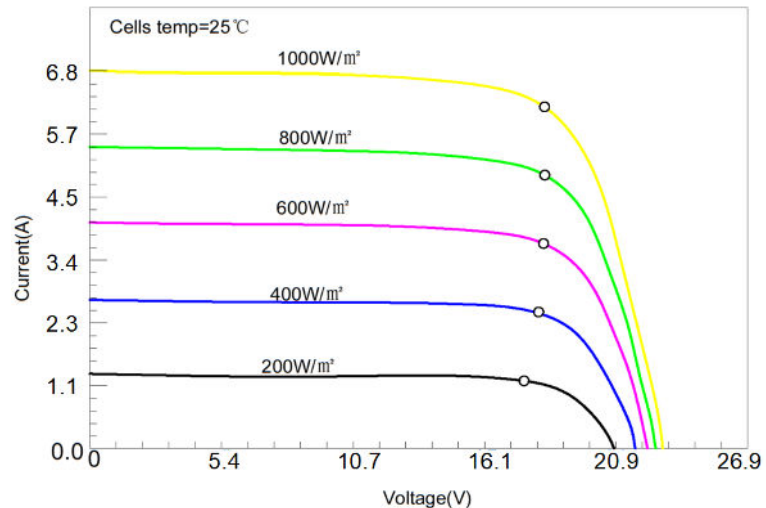
Maximum power(Pmax)	120W
Open-circuit voltage(Voc)	22.3V
Voltage at Pmax(Vmp)	19.1V
Short-circuit current(Isc)	6.60A
Current at Pmax(Imp)	6.29A
Cells Efficiency(%)	22.7%
The maximum system voltage	1000V DC(IEC)
Power temperature coefficient	-0.35%/°C
Voltage temperature coefficient	-0.275%/°C
Current temperature coefficient	0.045%/°C
Output power tolerance	±3%
Operating Temperature	-40°C~85°C

Product Introduction

On the 182 mm single solar cell, the unique front, and back electrode pattern design improves the mechanical load of the module and reduces the fragmentation rate in the production of the module; combined with the excellent anti-PID performance, it ensures the stability of the power generation of the module, effectively The conversion efficiency of the module is improved.

Specifications

Solar cell brand	A grade mono solar cells 182mm
No.of cells and connections	33(3*11)
Module dimension	1090*590*35mm
Weight	6.9KG
Output cable	2*diodes + 900mm/4mm ² cable+MC4 compatible
Approvals	IP65
Certifications	CE, ROHS, FCC
Warranty	10 years and service life 25 years



*SUNGOLD offer customize service, please refer to our website or ask SUNGOLD workers for more sizes and the latest parameters.